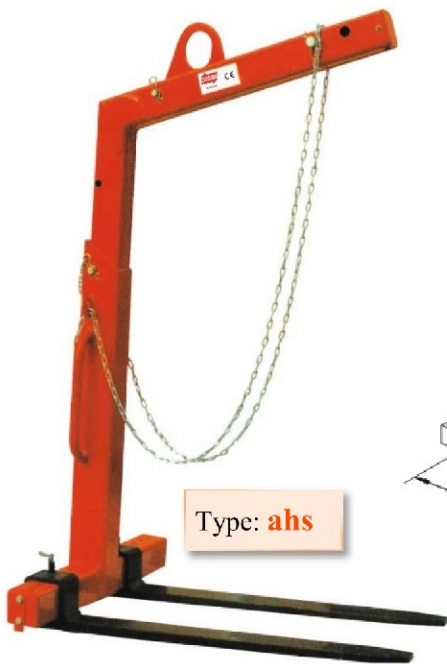


CRANE FORK

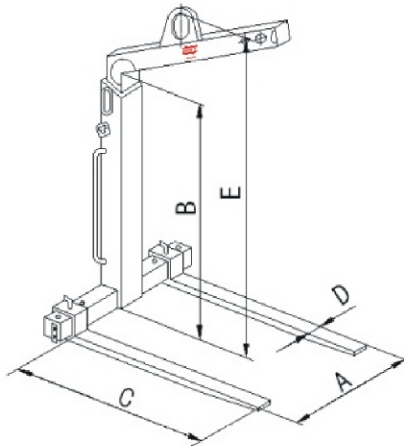


Feature

- » Four-insurance to avoid breakage.
- » Proof-tested according 1.5 times of its rated capacity.
- » Safety factor 4:1 to cater for high safety requirement.
- » For round goods, only close up the forks.
- » Adjustable fork width to fit for different sizes of trays.
- » 4 casters to keep good moveability and maneuverability.
- » Complies with EU Machinery Directive 2006/42/EC, produced & tested as per safety standards EN norms EN 14121-1:2007, EN ISO 12100-1:2003/A1:2009, EN ISO 12100-2:2003/A1:2009.



Type: ahs



Type	Model	WLL	Adjustable fork width	Effective height	Length of fork	Fork cross section	Height	Weight
		(t)	A (mm)	B (mm)	C (mm)	D (mm)	E (mm)	(kg)
ahs series: Automatic weight balancer, adjustable height	MCF1.0ahs	1	350-900	1100-1600	1000	100×30	1420-1920	140
	MCF1.5ahs	1.5	350-900	1300-2000	1000	100×40	1650-2350	165
	MCF2.0ahs	2	400-900	1300-2000	1000	120×40	1655-2355	220
	MCF3.0ahs	3	450-900	1300-2000	1000	120×50	1720-2420	280
	MCF5.0ahs	5	530-1000	1300-2000	1000	150×60	1710-2410	380

