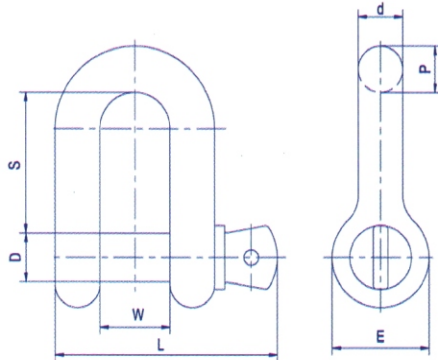
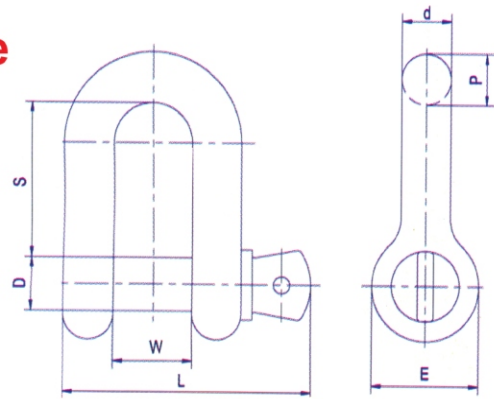


D Shackle With Screw Pin



Art. No	WLL	W	D	d	E	P	S	L	Self Weight
MT 05-1/4	0.5	12	8	6.5	15.5	----	22	36.5	0.04
MT 0.75-5/16	0.75	13.5	10	8	19	----	26	44.5	0.08
MT 1-3/8	1	17	12	9.5	23	----	32	52.5	0.13
MT 1-5-7/16	1.5	19	14	11	27	----	36.5	62	0.2
MT 2-1/2	2	20.5	16	13	30	----	41.5	70.5	0.27
MT 3.25-5/8	3.25	27	20	16	38	----	51	88	0.57
MT 4.75-3/4	4.75	32	22	19	46	20.5	60.5	102.5	0.99
MT 6.5-7/8	6.5	36.5	27	22.5	53	24.5	71.5	115	1.57
MT 8.5-1	8.5	43	30	25.5	60.5	----	81	139	2.3
MT 9.5-1 1/8	9.5	46	33	29	68.5	32	91	153	3.42
MT 12-1 1/4	12	51.5	36	32	76	35	100	168.5	4.48
MT 13.5-1 3/8	13.5	57	39	35	84	38	111	184.5	6.46
MT 17-1 1/2	17	60.5	42	38	92	41	122	199	7.65
MT 25-1 3/4	25	73	52	44.5	106.5	54	146	237	12.48
MT 35-2	35	82.5	60	51	122	----	171.5	271	18.63
MT 55-2 1/2	55	105	70	66.5	144.5	----	203	341	36.02

D Shackle Bolt Type



Art. No	WLL	W	D	d	E	P	S	L	Self Weight
MT 05-1/4	0.5	12	8	6.5	15.5	----	22	37	0.06
MT 0.75-5/16	0.75	13.5	10	8	19	----	26	45	0.1
MT 1-3/8	1	17	12	9.5	23	----	32	54	0.15
MT 1-5-7/16	1.5	19	14	11	27	----	36.5	62	0.22
MT 2-1/2	2	20.5	16	13	30	----	41.5	71.5	0.34
MT 3.25-5/8	3.25	27	20	16	38	----	51	89	0.67
MT 4.75-3/4	4.75	32	22	19	46	20.5	60.5	105	1.14
MT 6.5-7/8	6.5	36.5	27	22.5	53	24.5	71.5	121	1.76
MT 8.5-1	8.5	43	30	25.5	60.5	----	81	136.5	2.58
MT 9.5-1 1/8	9.5	46	33	29	68.5	32	91	149.5	3.45
MT 12-1 1/4	12	51.5	36	32	76	35	100	164.5	5.06
MT 13.5-1 3/8	13.5	57	39	35	84	38	111	179	7.29
MT 17-1 1/2	17	60.5	42	38	92	41	122	194.5	8.75
MT 25-1 3/4	25	73	52	44.5	106.5	54	146	234	14.22
MT 35-2	35	82.5	58	51	122	----	171.5	262.5	21
MT 55-2 1/2	55	105	70	66.5	144.5	65.5	203	339	42.12
MT 85-3	85	127	85	76	165	89	216	394	65.3